

SINGER
6408/6412/6416/6423

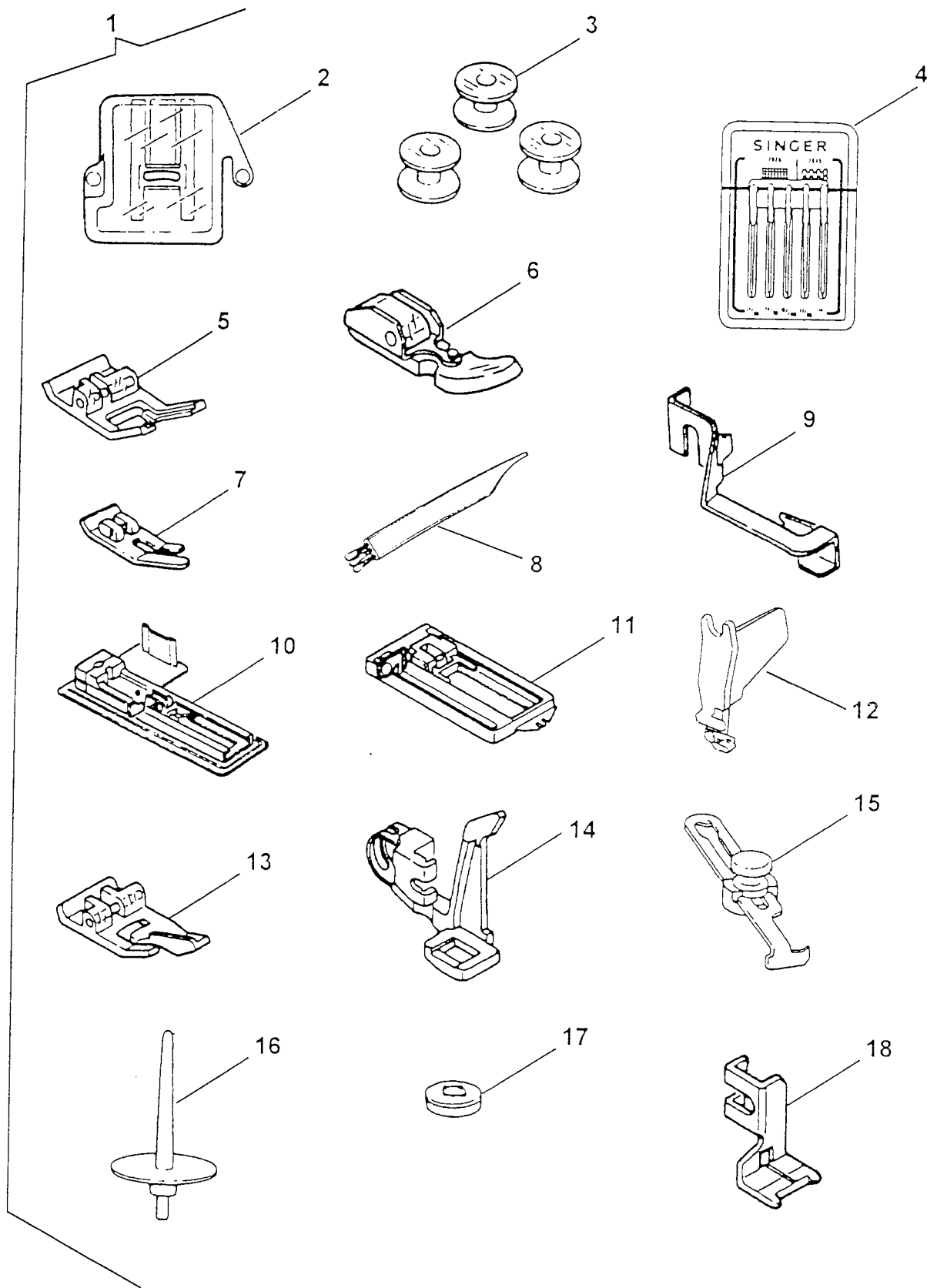
INDEX

PAGE NO.	SUBASSEMBLY
1 , 2	ATTACHMENT SET
3 , 4	COVERS AND ADD ONS
5 , 6	ARM TOP COVER
7 , 8	ARM SHAFT DRIVE SYSTEM
9 , 10	HAND WHEEL
11, 12	COAXIAL PRESSER BAR SYSTEM
13, 14	NEEDLE BAR & THREAD TAKE-UP
15, 16	ALPHA FEED
17, 18	HOOK SYSTEM
19, 22	PATTERN, STITCH LENGTH CONTROL & CAM CONTROLLED FEED
23, 24	DEMAND RESPONSIVE NEEDLE TENSION SYTEM
25, 28	ELECTRICAL EQUIPMENT

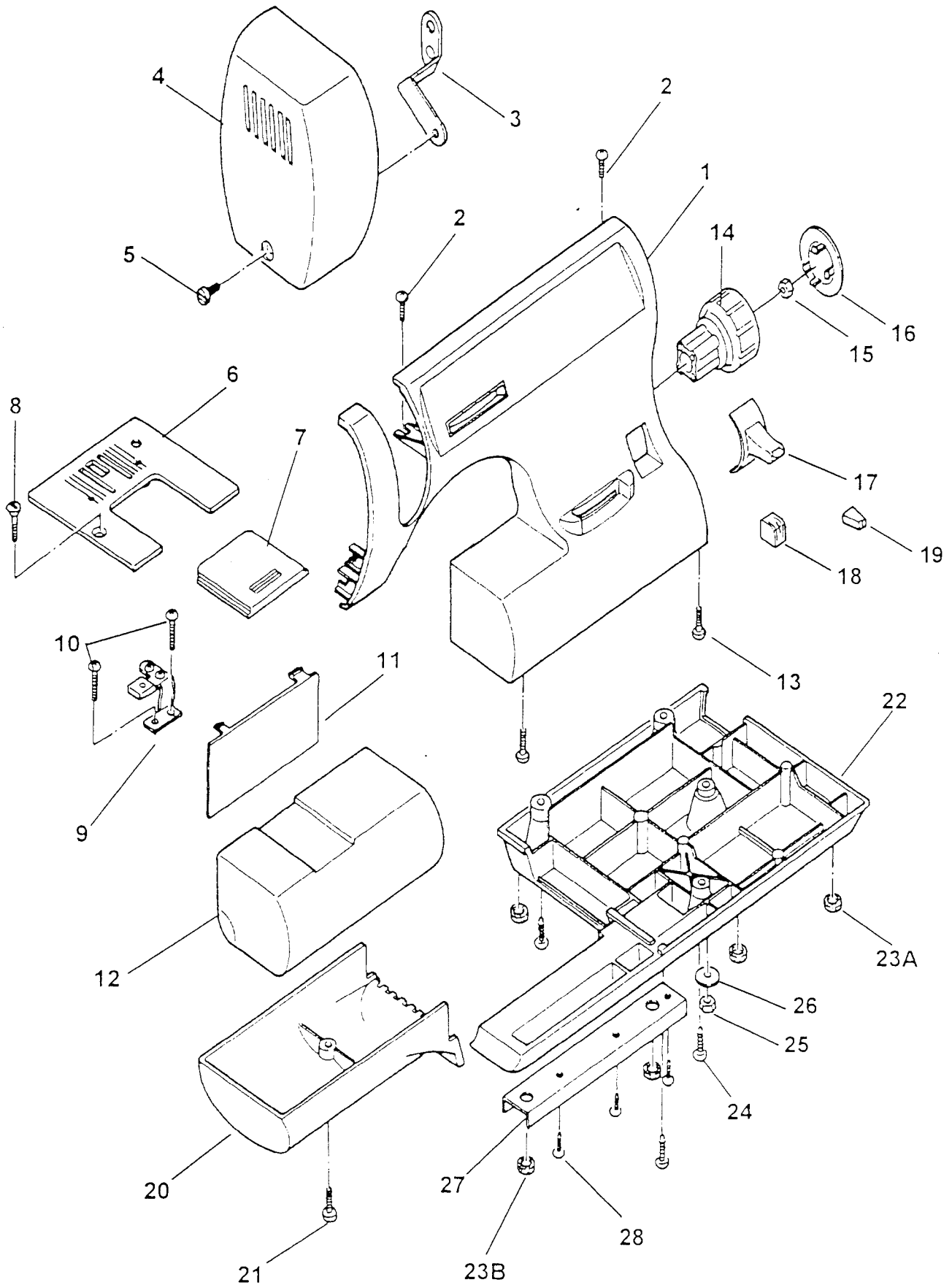
ATTACHMENT SET
 MODEL: 6408/6412/6416/6423

REF. PART NO.	PART NO.	DESCRIPTION	6	6	6	6
			6	6	6	6
			4	4	4	4
			0	1	1	2
			8	2	6	3
1	137181-001	ATTACHMENT SET COMPLETE	X	X		
1	137181-002	ATTACHMENT SET COMPLETE			X	X
2	316004	FEED COVER PLATE	X	X	X	X
3	316365-451	SHUTTLE BOBBIN	X	X	X	X
4	353364	NEEDLE PACK	X	X	X	X
5	137632	SPECIAL PURPOSE PRESSER FOOT	X	X	X	X
6	507836	ZIPPER AND DORDING PRESSER FOOT	X	X	X	X
7	153267	STRAIGHT STITCH PRESSER FOOT			X	X
8	546358-453	LINT BRUSH	X	X	X	X
9	381213	BLINDSTITCH GUIDE	X	X		
10	137206-451	1-STEP BUTTONHOLING PRESSER FOOT COMPLETE			X	X
11	137228-451	BUTTONHOLING PRESSER FOOT	X	X		
12	503277-454	NEEDLE THREADER COMPLETE			X	X
13	356630	BLIND STITCH PRESSER FOOT			X	X
14	137213	DARNIND AND EMBROIDERY PRESSER FOOT			X	X
15	161172	SEAM AND BLINDSTITCH HEM GUIDE COMPLETE			X	X
16	137204-451	TWIN NEEDLE SPOOL PIN (OPTIONAL)			X	X
17	507664-467	THREAD LEAD-OFF (SMALL)			X	X
18	317298	PRESSER FOOT FOR SEWING ON BUTTON			X	X

ATTACHMENT SET



From the library of: Diamond Needle Corp



From the library of: Diamond Needle Corp

COVERS AND ADD ONS
 MODEL: 6408/6412/6416/6423

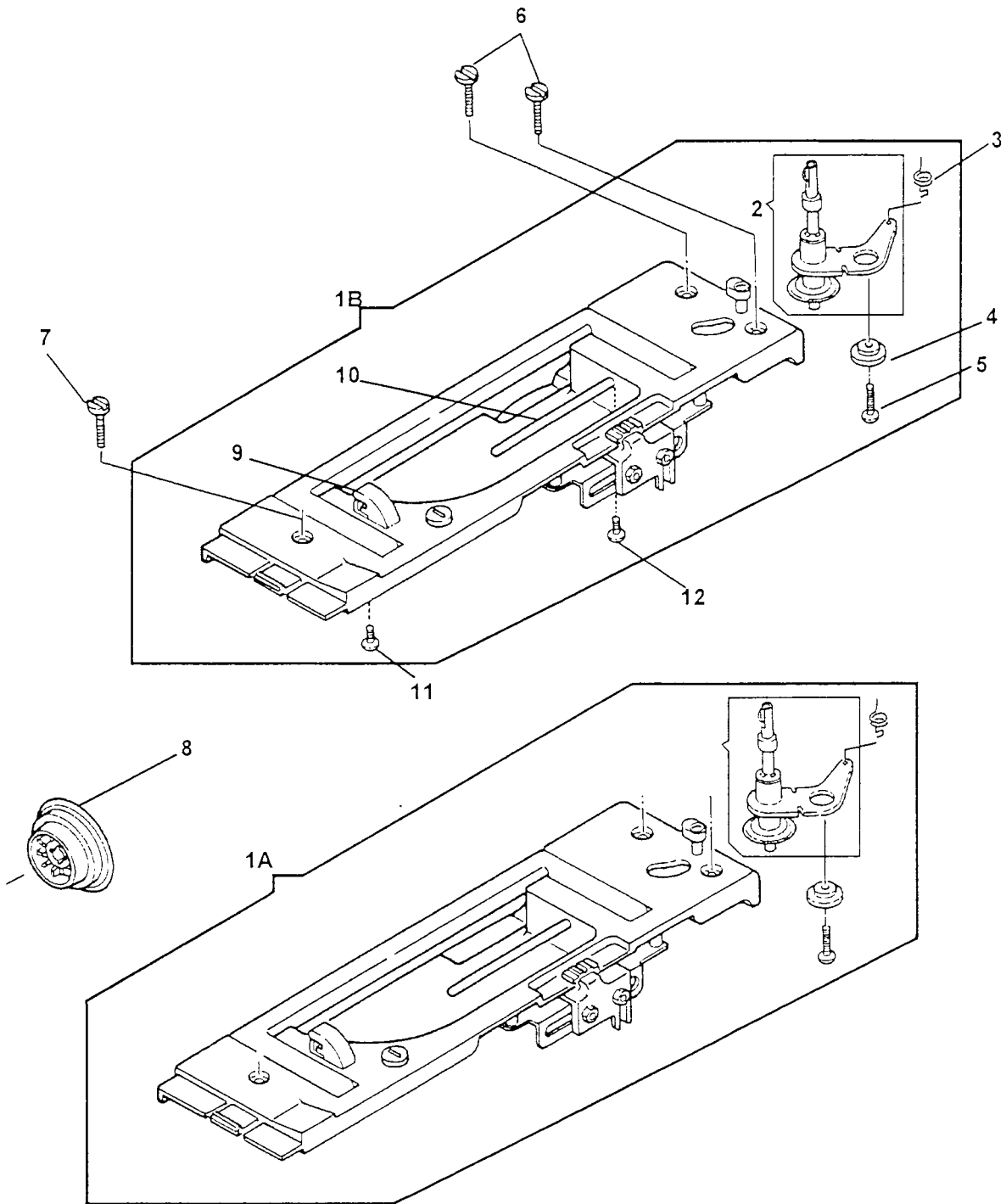
REF. NO.	PART NO.	DESCRIPTION	6	6	6	6
			6	6	6	6
			4	4	4	4
			0	1	1	2
			8	2	6	3
1	137099-001	FRONT COVER ASSEMBLY	X			
1	137099-002	FRONT COVER ASSEMBLY		X		
1	137099-003	FRONT COVER ASSEMBLY			X	
1	137099-004	FRONT COVER ASSEMBLY				X
1	137099-023	FRONT COVER ASSEMBLY (FOR N844-INDIA)		X		
1	137099-024	FRONT COVER ASSEMBLY (FOR N834-EUROPE)	X			
1	137099-025	FRONT COVER ASSEMBLY (FOR N834-EUROPE)		X		
1	137099-026	FRONT COVER ASSEMBLY (FOR N834-EUROPE)			X	
1	137099-027	FRONT COVER ASSEMBLY (FOR N834-EUROPE)				X
2	544212-072	FRONT COVER ASSEMBLY MOUNTING SCREW	X	X	X	X
3	317226	FACE PLATE MOUNTING BRACKET	X	X	X	X
4	137128-001	FACE PLATE ASSEMBLY	X	X	X	X
5	137250-451	SCREW, FACE PLATE MOUNTING	X	X	X	X
6	137306	NEEDLE PLATE ASSEMBLY COMPLETE	X	X	X	X
7	137312-900	NEEDLE PLATE SLIDE WINDOW	X	X	X	X
8	137041	NEEDLE PLATE PLUNGER	X	X	X	X
9	137172	ROTATING HOOK BOBBIN CASE CUSHING BRACKET	X	X	X	X
10	137813-003	POSITION PLATE SCREW	X	X	X	X
11	137153-451	TUBULAR FRONT COVER	X	X	X	X
12	137129-451	CLOTH PLATE, ACCESSORY BOX	X	X	X	X
13	113455-017	FRONT COVER MOUNTING SCREW (BOTTOM)	X	X	X	X
14	137248-451	PATTERN SELECTOR KNOB	X	X	X	X
15	541165-002	PATTERN SELECTOR KNOB SHAFT SET NUT	X	X	X	X
16	137110-451	PATTERN SELECTOR KNOB COVER	X	X	X	X
17	137108-451	REVERSE FEED CONTROL KNOB	X	X	X	X
18	137107-451	STITCH LENGTH CONTROL LEVER KNOB	X	X	X	X
19	137029-451	BIGHT CONTROL LEVER KNOB	X	X	X	X
20	137005-451	TUBULAR COVER (PLASTIC)	X	X	X	X
21	354633-452	TUBULAR COVER MOUNTING SCREW	X	X	X	X
22	137006-451	BASE COVER	X	X	X	X
23A	137138	BASE COVER EXTENSION CUSHION (3)	X	X	X	X
23B	313909-451	BED EXTENSION CUSHION (BASE COVER BRACKET) (2)	X	X	X	X
24	113455-016	BASE COVER MOUNTING SCREW	X	X	X	X
25	313177-451	BASE COVER MOUNTING BOLT MOUNTING NUT	X	X	X	X
26	314712-451	BASE COVER MOUNTING BOLT WASHER	X	X	X	X
27	137124	BASE COVER BRACKET	X	X	X	X
28	113455-017	BASE COVER BRACKET MOUNTING SCREW	X	X	X	X

From the library of: Diamond Needle Corp

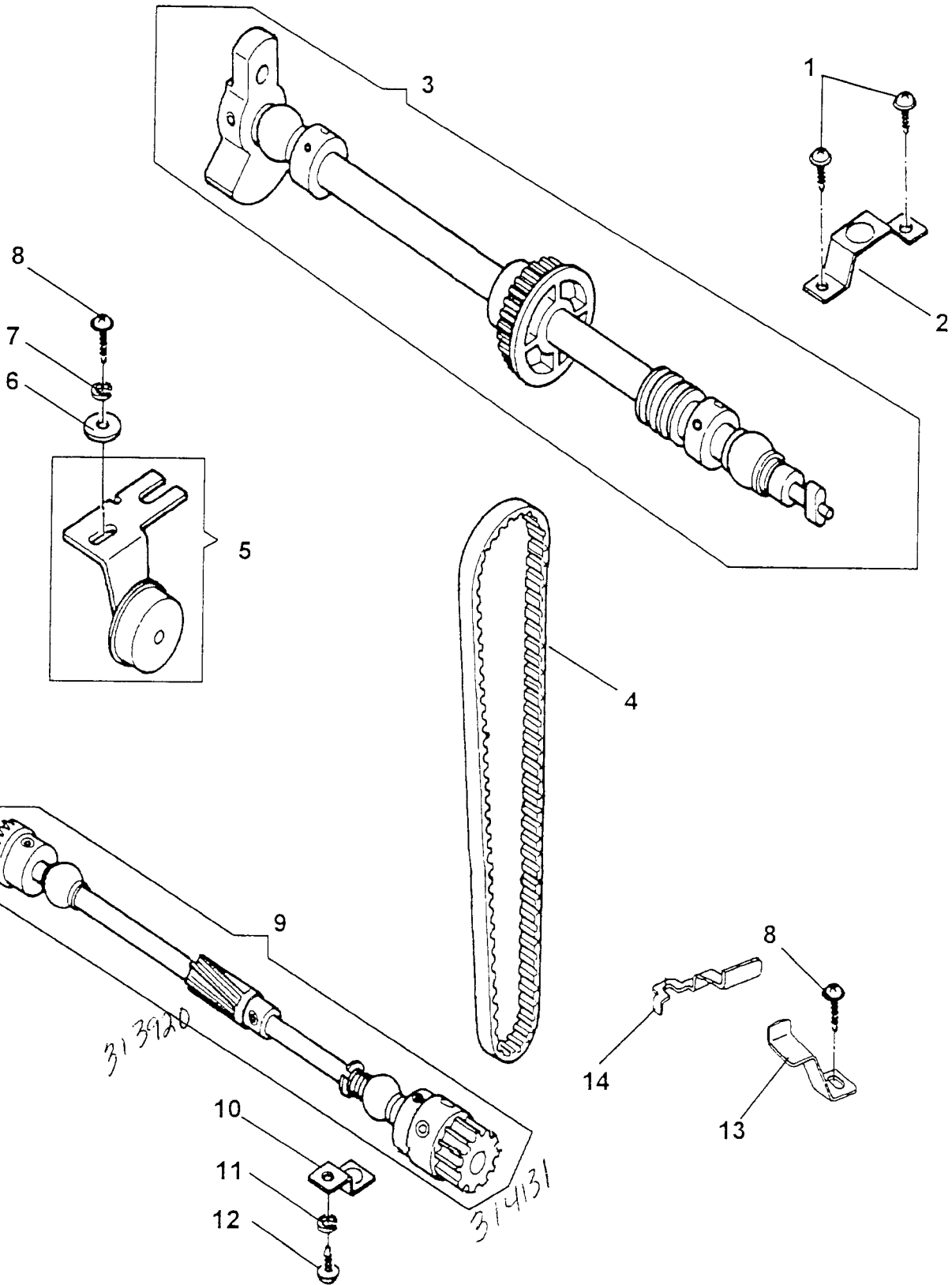
ARM TOP COVER
 MODEL: 6408/6412/6416/6423

REF. PART NO.	NO.	DESCRIPTION	6	6	6	6
			4	4	4	4
			0	1	1	2
			8	2	6	3
1A	137095-001	ARM TOP COVER WITH HANDLE COMPLETE	X	X		
1B	137095-002	ARM TOP COVER WITH HANDLE COMPLETE			X	X
2	137151	BOBBIN WINDER ASSEMBLY	X	X	X	X
3	312897-001	BOBBIN WINDER LEVER SPRING	X	X	X	X
4	312613	BOBBIN WINDER LEVER HINGE SCREW SHOULDER WASHER	X	X	X	X
5	354927-004	BOBBIN WINDER LEVER HINGE SCREW	X	X	X	X
6	354927-005	ARM TOP COVER MOUNTING SCREW (RIGHT)	X	X	X	X
7	354927-001	ARM TOP COVER MOUNTING SCREW (BOTTOM)	X	X	X	X
8	137192-451	ARM TOP COVER SPOOL PIN LEAD-OFF	X	X	X	X
9	137160-451	THREAD GUIDE ON ARM TOP COVER	X	X	X	X
10	137161	SPOOL PIN	X	X	X	X
11	113442-002	SCREW, THREAD GUIDE	X	X	X	X
12	137183-451	SCREW, SPOOL PIN	X	X	X	X

ARM TOP COVER



From the library of: Diamond Needle Corp



ARM SHAFT DRIVE SYSTEM
 MODEL: 6408/6412/6416/6423

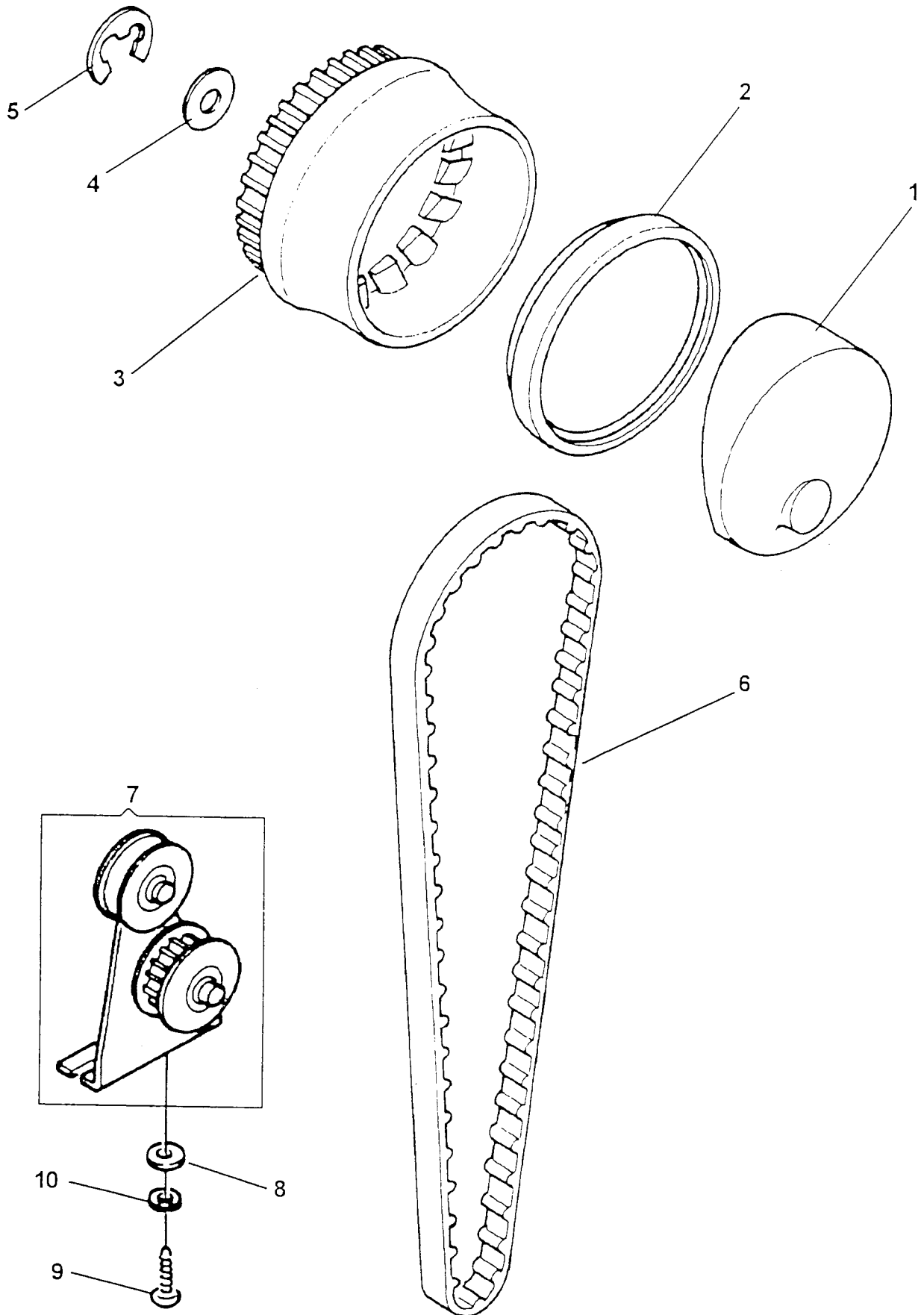
REF. PART NO.	PART NO.	DESCRIPTION	6	6	6	6
			4	4	4	4
			0	1	1	2
			8	2	6	3
1	113455-001	SCREW, ARM SHAFT BUSHING CLAMP MOUNTING	X	X	X	X
2	312796-451	ARM SHAFT BUSHING CLAMP ASSEMBLY	X	X	X	X
3	137031-001	ARM SHAFT ASSEMBLY	X	X	X	X
4	603975-013	BELT (ROTATING HOOK DRIVING)	X	X	X	X
5	137116	BELT IDLER BRACKET AND PULLEY	X	X	X	X
6	314041-451	WASHER, ROTATING HOOK DRIVING BELT TENSION ADJUSTER	X	X	X	X
		SCREW				
7	314013-451	LOCK WASHER, ROTATING HOOK DRIVING BELT TENSION ADJUSTER	X	X	X	X
		SCREW				
8	113455-002	ROTATING HOOK DRIVING BELT TENSION ADJUSTER SCREW	X	X	X	X
9	137064-003	ROTATING HOOK DRIVE SHAFT SUB-ASSEMBLY	X	X	X	X
10	313816	ROTATING HOOK DRIVE SHAFT BUSHING (SELF-ALIGNING) CLAMP	X	X	X	X
11	314013-451	LOCK WASHER, ROTATING HOOK DRIVE SHAFT BUSHING CLAMP	X	X	X	X
12	113455-001	SCREW, ROTATING HOOK DRIVE SHAFT BUSHING CLAMP	X	X	X	X
13	137423	ROTATING HOOK DRIVE SHAFT BELT SLIP PREVENTION GUARD	X	X	X	X
14	137286	ROTATING HOOK DRIVE SHAFT BELT SLIP PREVENTION GUARD	X	X	X	X

HAND WHEEL

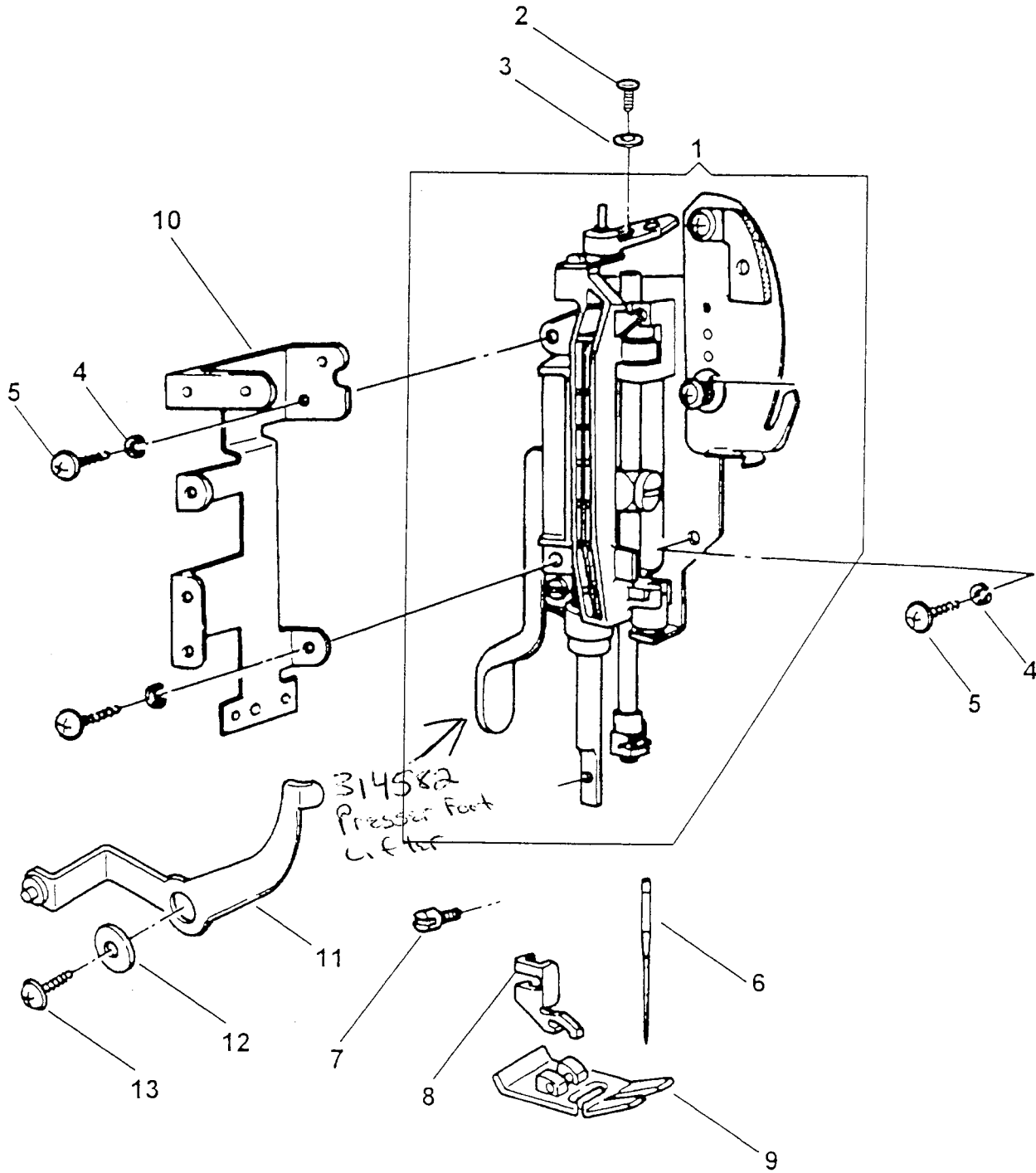
MODEL: 6408/6412/6416/6423

REF. NO.	PART NO.	DESCRIPTION	6	6	6	6
			6	6	6	6
			4	4	4	4
			0	1	1	2
			8	2	6	3
1	137196-001	HAND WHEEL CLUTCH PLATE ASSEMBLY				
2	137231	HAND WHEEL INSERT CAP	X	X	X	X
3	137159-451	HAND WHEEL	X	X	X	X
4	312620-003	HAND WHEEL DESENGAGING CLUTCH BUSHING PLASTIC WASHER	X	X	X	X
5	316207-008	HAND WHEEL RETAINING RING	X	X	X	X
6	312628-004	BELT (MOTOR DRIVE)	X	X	X	X
7	137038	MOTOR DRIVE PULLEY BRACKET ASSEMBLY	X	X	X	X
8	314041-451	MOTOR DRIVE PULLEY BRACKET ASSEMBLY RETAINING WASHER	X	X	X	X
9	113455-004	SCREW, MOTOR DRIVE PULLEY BRACKET ASSEMBLY	X	X	X	X
10	314013-451	LOCK WASHER, MOTOR BELT PULLEY BRACKET SCREW	X	X	X	X

HAND WHEEL



COAXIAL PRESSER BAR SYSTEM



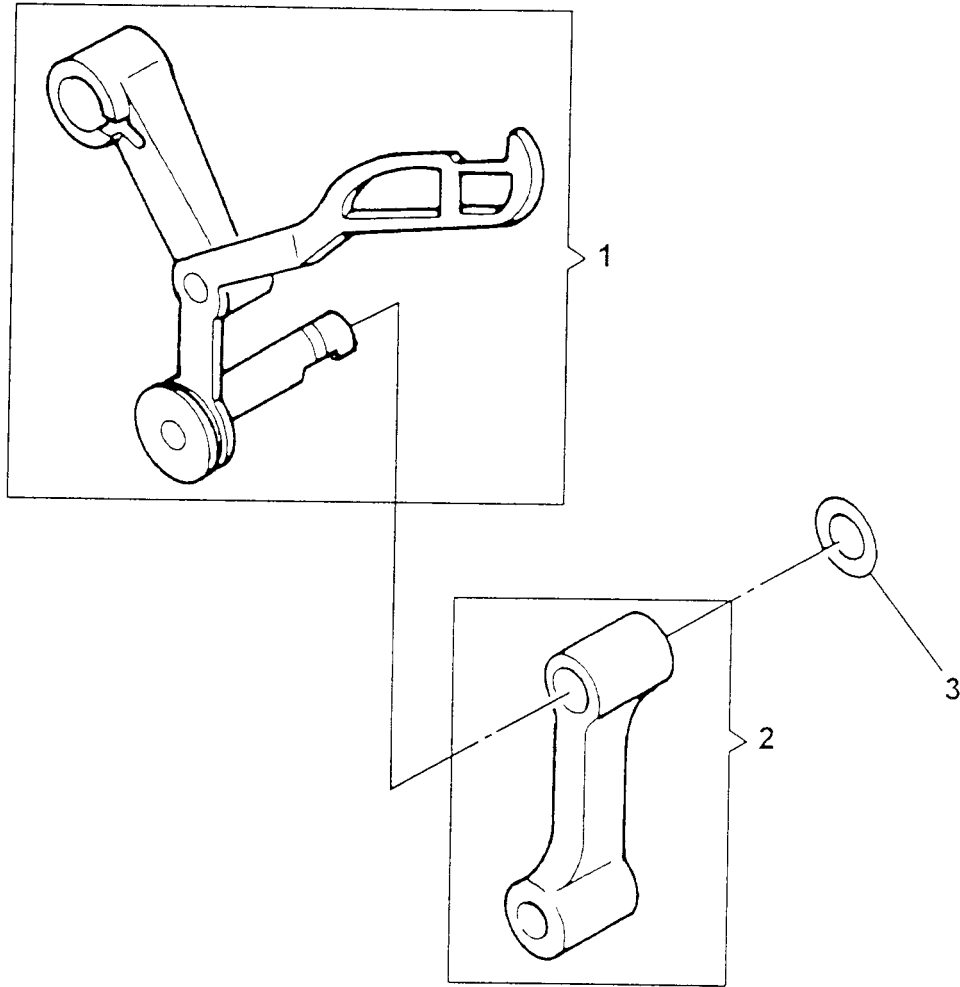
COAXIAL PRESSER BAR SYSTEM
 MODEL: 6408/6412/6416/6423

REF. NO.	PART NO.	DESCRIPTION	6	6	6	6
			6	6	6	6
			4	4	4	4
			0	1	1	2
			8	2	6	3
1	137007-002	HEAD END MODULE	X	X	X	X
2	931929-004	WASHER, NEEDLE BAR DRIVING ARM BALL JOINT SCREW	X	X	X	X
3	113408-001	NEEDLE BAR DRIVING ARM BALL JOINT SCREW	X	X	X	X
4	313955-451	HEAD END MOUNTING PLATE LOCK WASHER	X	X	X	X
5	113455-012	HEAD END MOUNTING PLATE SCREW	X	X	X	X
6	N2020-14	NEEDLE (#14)	X	X	X	X
7	137203	SCREW, PRESSER FOOT THUMB	X	X	X	X
8	155964	PRESSR FOOT SHANK (SNAP-ON)	X	X	X	X
9	137627	PRESSER FOOT PLATE (SNAP-ON) FOR ZIG-ZAG	X	X	X	X
10	137135	FACE PLATE MOUNTING PLATE	X	X	X	X
11	137101	NEEDLE THREAD TENSION RELEASE LEVER ASSEMBLY	X	X	X	X
12	314041-451	NEEDLE THREAD TENSION RELEASE LEVER RETAINING WASHER	X	X	X	X
13	113455-001	NEEDLE THREAD TENSION RELEASE LEVER HINGE SCREW	X	X	X	X

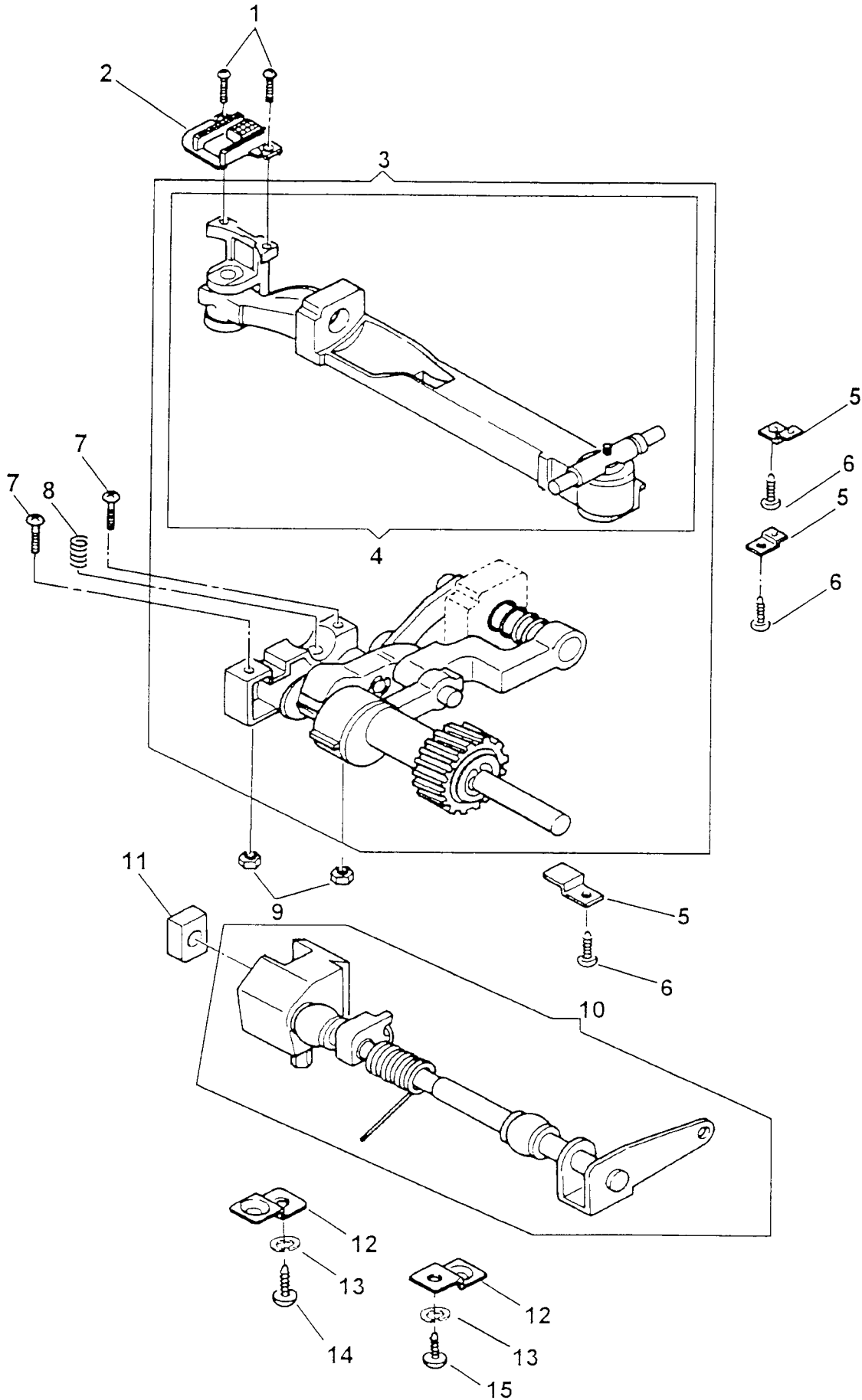
NEEDLE BAR AND THREAD TAKE-UP
MODEL: 6408/6412/6416/6423

REF. PART NO.	PART NO.	DESCRIPTION	6	6	6	6
			4	4	4	4
			0	1	1	2
			8	2	6	3
1	137145	THREAD TAKE-UP COMPLETE	X	X	X	X
2	137528-901	NEEDLE BAR CONNECTING LINK	X	X	X	X
3	314071	WASHER, THREAD TAKE-UP LEVER	X	X	X	X

NEEDLE BAR AND THREAD TAKE-UP



ALPHA FEED



From the library of: Diamond Needle Corp

ALPHA FEED

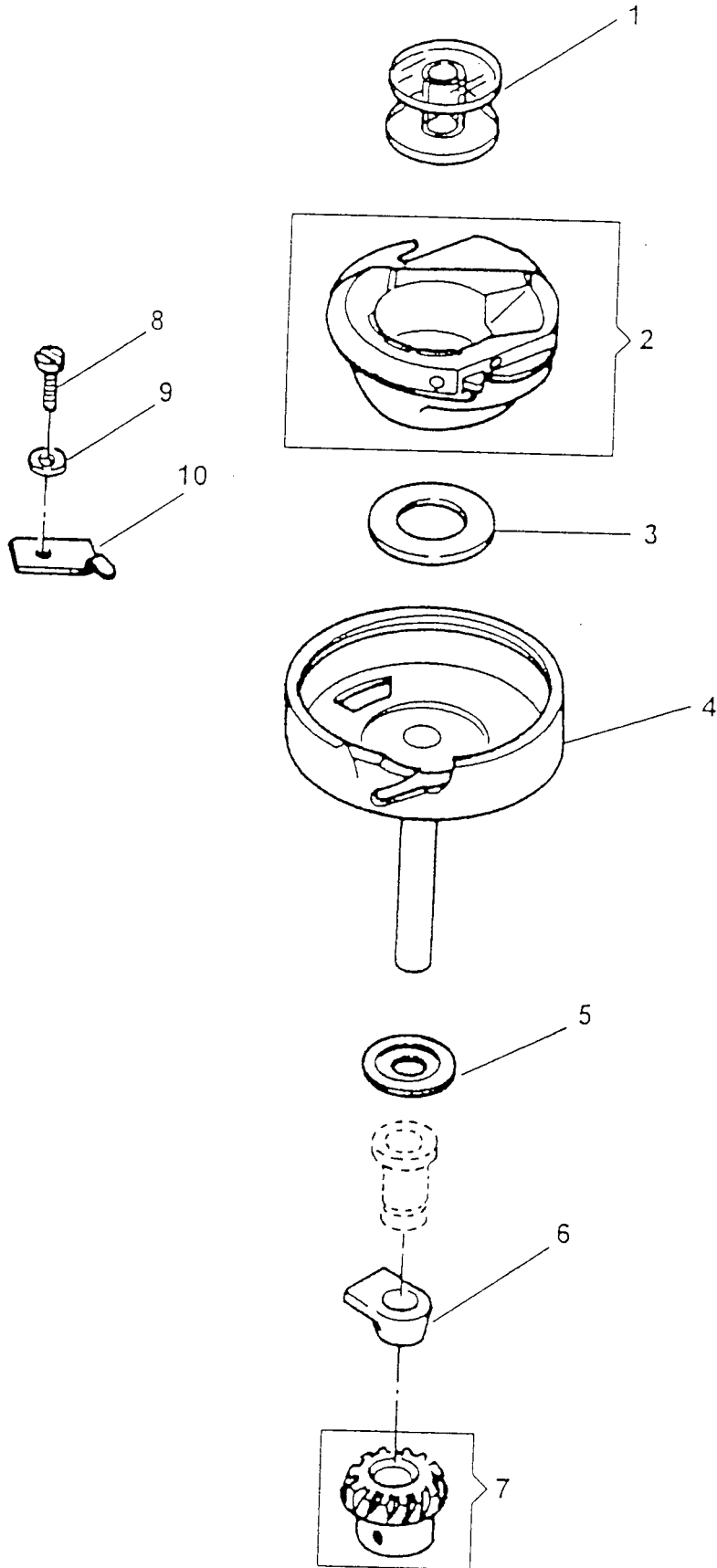
MODEL: 6408/6412/6416/6423

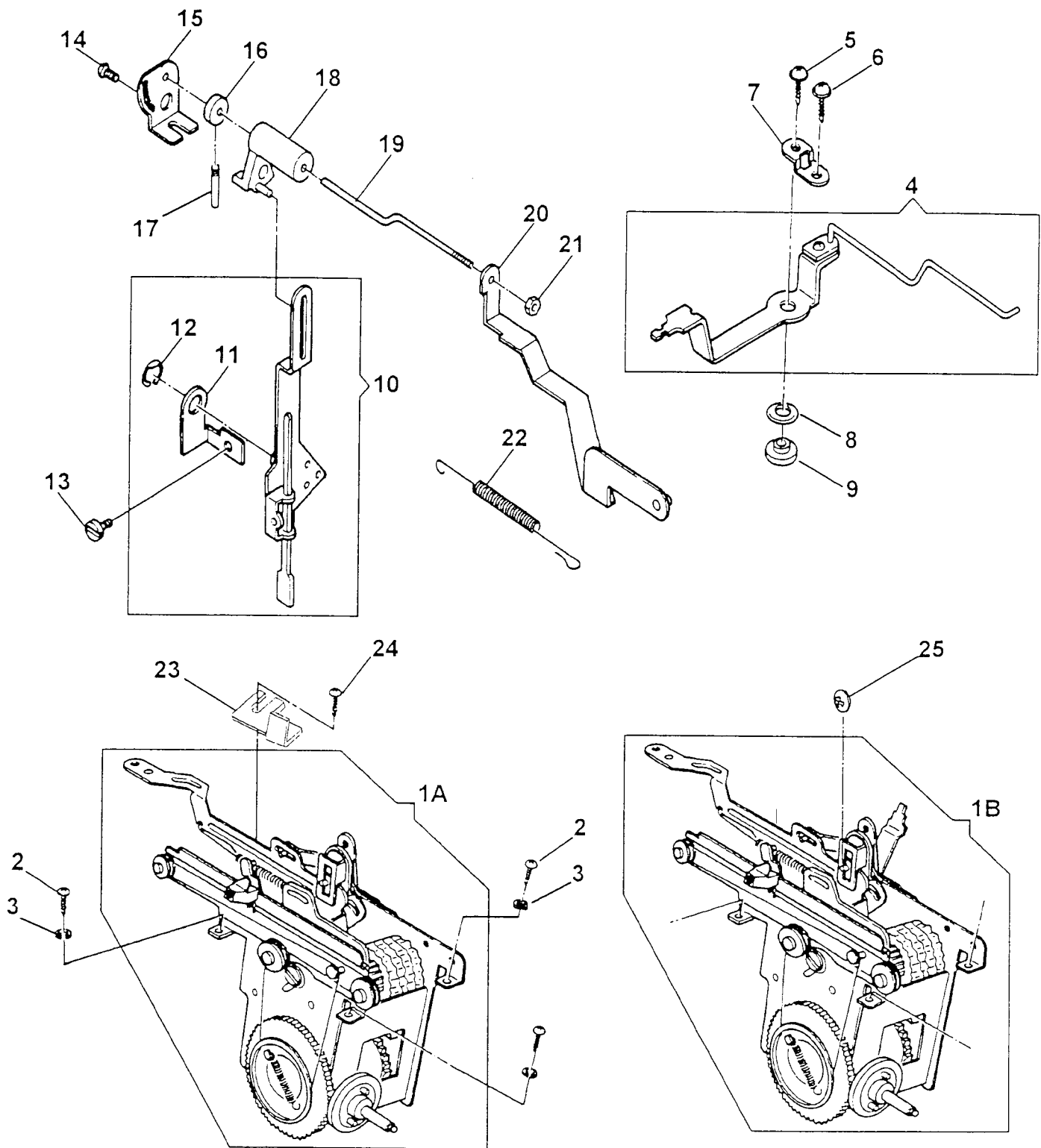
REF. PART NO.	DESCRIPTION	6	6	6	6
		4	4	4	4
		0	1	1	2
		8	2	6	3
1	141920-451 FEED DOG SCREW	X	X	X	X
2	137255 FEED DOG	X	X	X	X
3	137093-002 ALPHA FEED COMPLETE	X	X	X	X
4	137092 FEED BAR COMPLETE	X	X	X	X
5	312851 FEED BAR PIVOT HINGE STUD CLAMP	X	X	X	X
6	113455-003 FEED BAR PIVOT HING STUD CLAMP SCREW	X	X	X	X
7	137315-453 ALPHF FEED MOUNTING SCREW	X	X	X	X
8	314070 ROTATING HOOK DRIVE SHAFT BUSHING SPRING	X	X	X	X
9	514674-451 NUT, ALPHA FEED MOUNTING SCREW	X	X	X	X
10	137068 FEED REGULATOR SHAFT ASSEMBLY	X	X	X	X
11	511030 FEED REGULATOR SLIDE BLOCK	X	X	X	X
12	313816 FEED REGULATOR DRIVING SHAFT BUSHING (SELF-ALIGNING) CLAMP	X	X	X	X
13	314013-451 LOCK WASHER, FEED REGULATOR DRIVING SHAFT BUSHING (SELF-ALIGNING) CLAMP	X	X	X	X
14	113455-001 SCREW, FEED REGULATOR DRIVING SHAFT BUSHING CLAMP	X	X	X	X
15	113455-002 FEED REGULATOR BUSHING CLAMP SCREW (RIGHT)	X	X	X	X

HOOK SYSTEM
 MODEL: 6408 6412 6416 6423

REF. PART NO.	PART NO.	DESCRIPTION	6	6	6	6
			4	4	4	4
			0	1	1	2
			8	2	6	3
1	81348-451	BOBBIN	X	X	X	X
2	137322-001	BOBBIN CASE ASSEMBLY	X	X	X	X
3	137173	ROTATING HOOK PERMANENT WASHER	X	X	X	X
4	137300	ROTATING HOOK COMPLETE	X	X	X	X
5	314049-001	ROTATING HOOK FLANGED BUSHING THRUST WASHER	X	X	X	X
6	137426	ROTATING HOOK FLANGED BUSHING WASHER	X	X	X	X
7	137415	ROTATING HOOK BEVEL GEAR COMPLETE	X	X	X	X
8	113439-451	ROTATING HOOK BOBBIN CASE POSITIONING PLATE SCREW	X	X	X	X
9	446138	WASHER, ROTATING HOOK BOBBIN CASE POSITIONING PLATE SCREW	X	X	X	X
10	137310-001	ROTATING HOOK BOBBIN CASE POSITIONING PLATE	X	X	X	X

HOOK SYSTEM





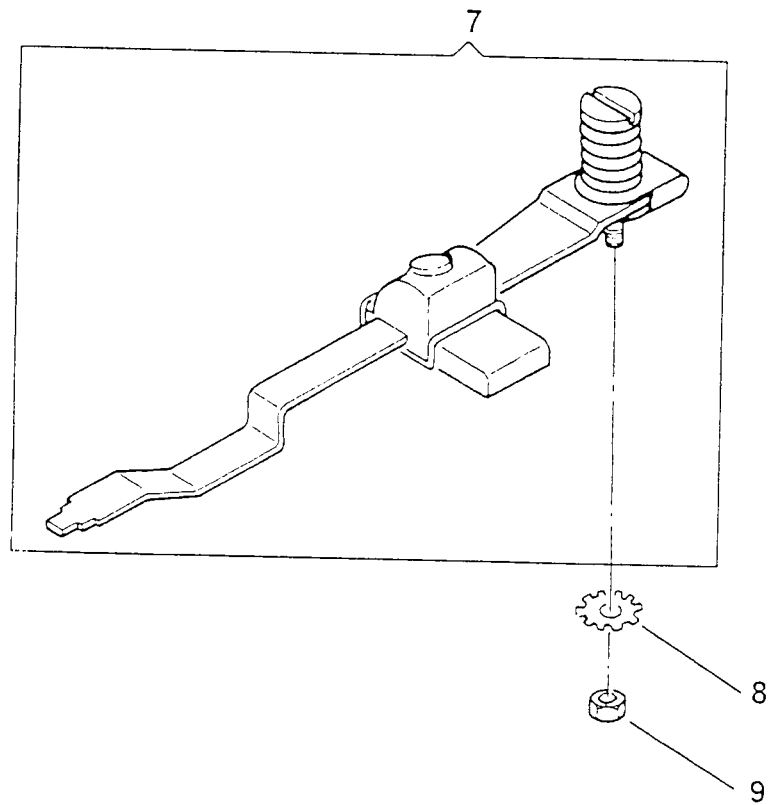
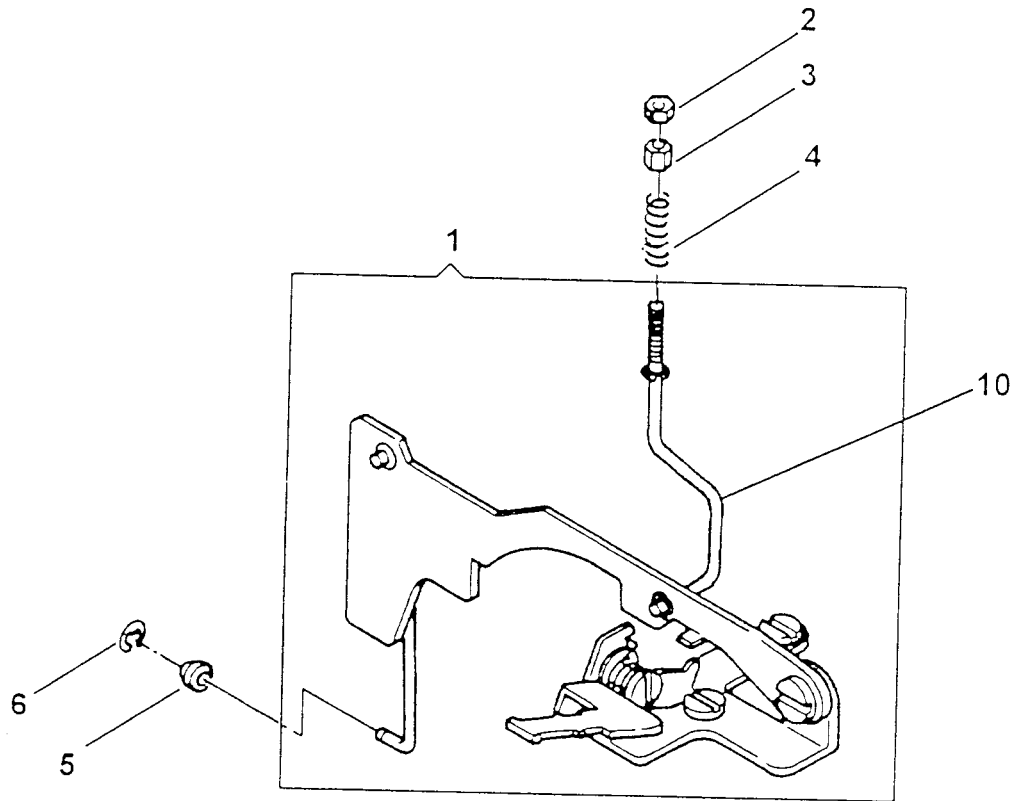
PATTERN, STITCH LENGTH CONTROL & CAM CONTROLLED FEED
 MODEL: 6408 6412 6416 6423

REF. PART NO.	PART NO.	DESCRIPTION	6	6	6	6
			4	4	4	4
			0	1	1	2
			8	2	6	3
1A	137011-002	PATTERN SELECTOR MODULE				X
1A	137012-002	PATTERN SELECTOR MODULE				X
1B	137013-002	PATTERN SELECTOR MODULE				X
1B	137014-002	PATTERN SELECTOR MODULE				X
2	113455-001	DISC SELECTOR MECHANISM MOUNTING PLATE SCREW (LEFT AND RIGHT)	X	X	X	X
3	314013-451	DISC SELECTOR MECHANISM MOUNTING PLATE SCREW WASHER (LEFT AND RIGHT)	X	X	X	X
4	137039-001	BIGHT AMPLITUDE CONTROL LEVER ASSEMBLY	X	X	X	X
5	113455-014	BIGHT AMPLITUDE CONTROL LEVER STOP ADJUSTMENT SCREW	X	X	X	X
6	113455-001	BIGHT AMPLITUDE CONTROL LEVER STOP SCREW	X	X	X	X
7	314638	BIGHT AMPLITUDE CONTROL LEVER RETAINER	X	X	X	X
8	353457	BIGHT AMPLITUDE CONTROL LEVER FRICTION WASHER	X	X	X	X
9	314611	BIGHT AMPLITUDE CONTROL LEVER SHOULDER WASHER	X	X	X	X
10	286789	BUTTONHOLE KICK-OUT TRIPPING ROD LEVER ASSEMBLY	X	X	X	X
11	286782	BUTTONHOLE LEVER PIVOT	X	X	X	X
12	312685	BUTTONHOLE KICK-OUT SHAFT TRIPPING LEVER RETAINING RING	X	X	X	X
13	354877-451	BUTTONHOLE PIVOT LEVER SCREW	X	X	X	X
14	544211-010	BUTTONHOLE ACTUATOR CAM ADJUSTING BRACKET SCREW	X	X	X	X
15	313073	BUTTONHOLE ACTUATOR CAM ADJUSTING BRACKET	X	X	X	X
16	313022	BUTTONHOLE FOLLOWER HUB RELEASE	X	X	X	X
17	313023	BUTTONHOLE FOLLOWER HUB RELEASE PIN	X	X	X	X
18	313025	BUTTONHOLE ACTUATOR CAM	X	X	X	X
19	137205	1-STEP BUTTONHOLE ACTUATOR ADJUSTING ROD	X	X	X	X
20	137061	BUTTONHOLE DISC CONTROL CATCH RELEASE LINK	X	X	X	X
21	314763-451	BUTTONHOLE TRIPPING ROD ADJUSTING AND LOCK NUT	X	X	X	X
22	313799-001	BUTTONHOLE ACTUATOR ADJUSTING ROD SPRING	X	X	X	X
23	137407	ARM SHAFT BELT SLIP PREVENTION GUARD	X	X	X	X
24	113455-002	SCREW, ARM SHAFT BELT SLIP PREVENTION GUARD	X	X	X	X
25	314604	RETAINING RING	X	X	X	X

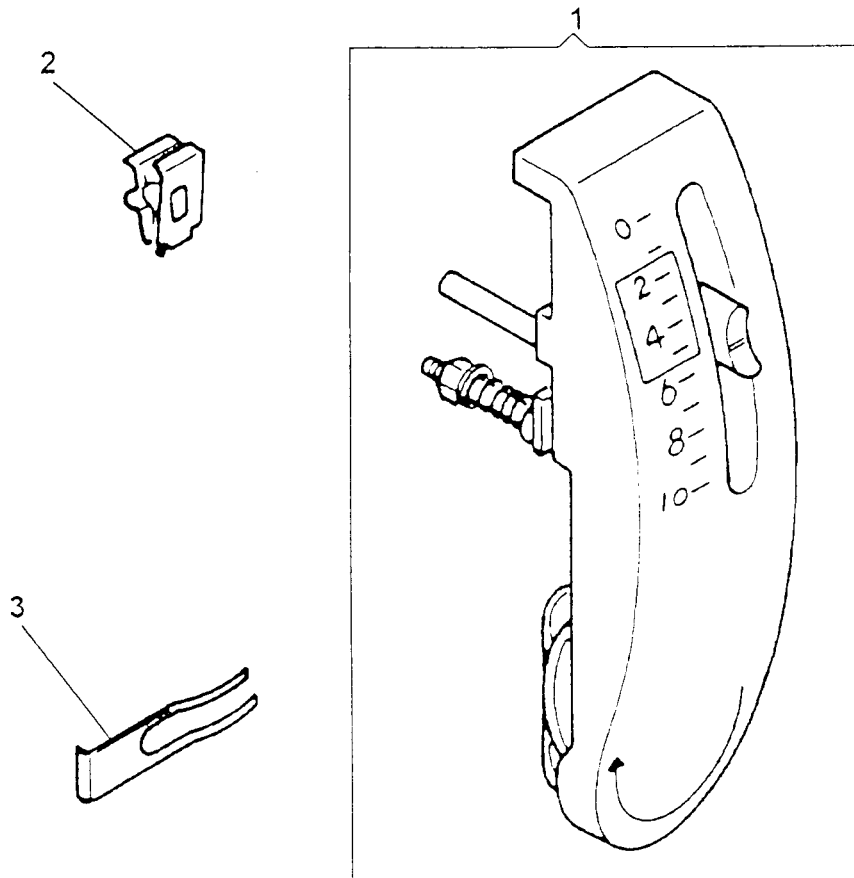
From the library of: Diamond Needle Corp

PATTERN, STITCH LENGTH CONTROL & CAM CONTROLLED FEED (CONT.)
 MODEL: 6408/6412/6416/6423

REF. PART NO.	PART NO.	DESCRIPTION	6	6	6	6
			4	4	4	4
			0	1	1	2
			8	2	6	3
1	137063-001	FEED REVERSE CONTROL MECHANISM ASSEMBLY	X	X	X	X
2	514674-451	CAM CONTROLLED FEED CONNECTING ROD LOCKING NUT	X	X	X	X
3	312645-451	CAM CONTROLLED FEED DISC FOLLOWER ACTUATOR CONNECTING ROD ADJUSTING SCREW	X	X	X	X
4	313143	CAM CONTROLLED FEED DISC FOLLOWER ACTUATOR CONNECTING ROD SPRING	X	X	X	X
5	313891	CAM CONTROLLED FEED CONNECTING ROD STABILIZING WASHER	X	X	X	X
6	312702	FEED LEVER CONNECTING LINK RETAINING RING	X	X	X	X
7	137062-001	STITCH LENGTH CONTROL LEVER ASSEMBLY	X	X	X	X
8	313172-451	STITCH LENGTH CONTROL LEVER PIVOT LOCK WASHER	X	X	X	X
9	313177-451	STITCH LENGTH CONTROL LEVER NUT	X	X	X	X
10	137246	CAM CONTROLLED FEED DISC FOLLOWER ACTUATOR CONNECTING ROD	X	X	X	X



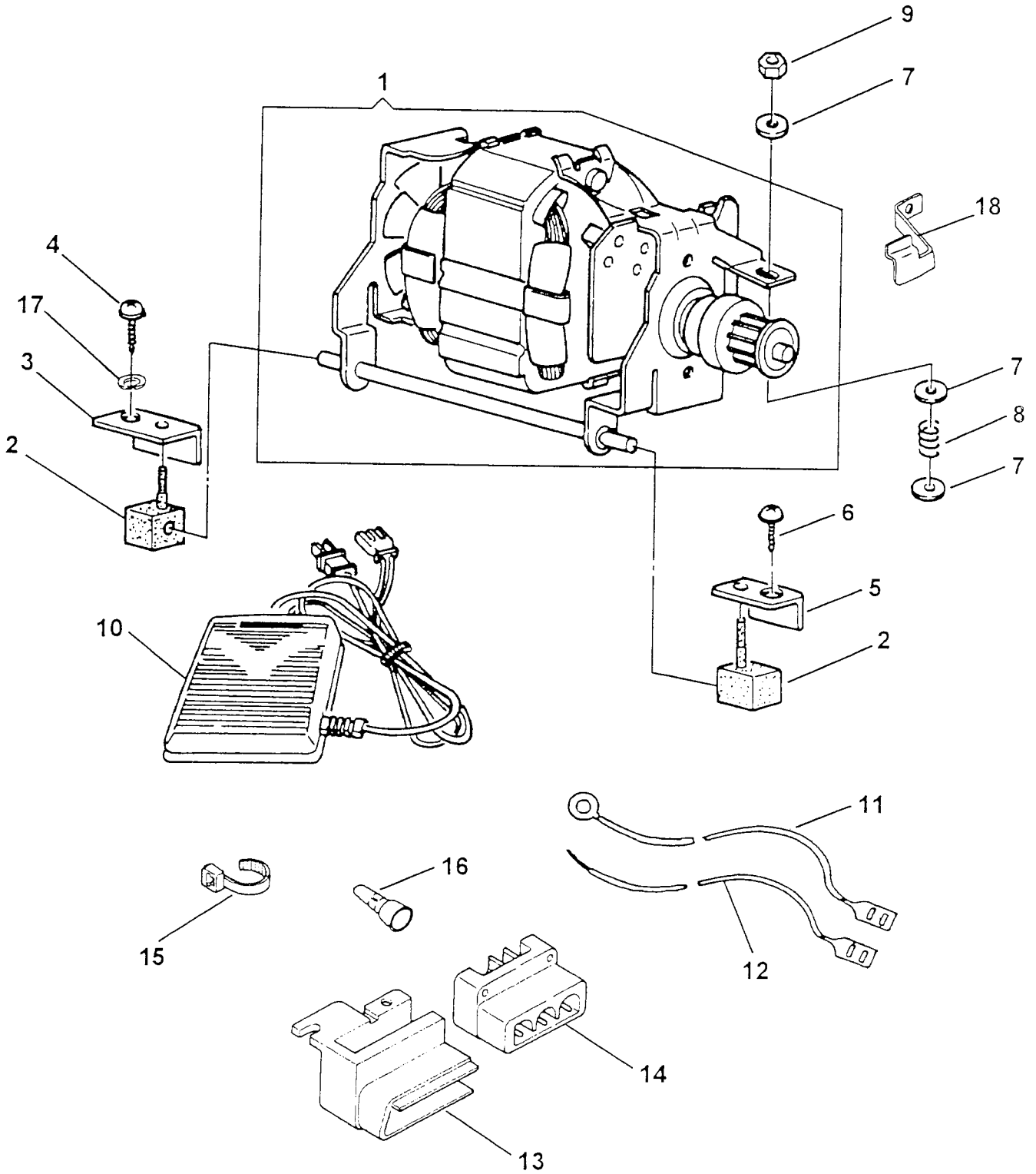
From the library of: Diamond Needle Corp



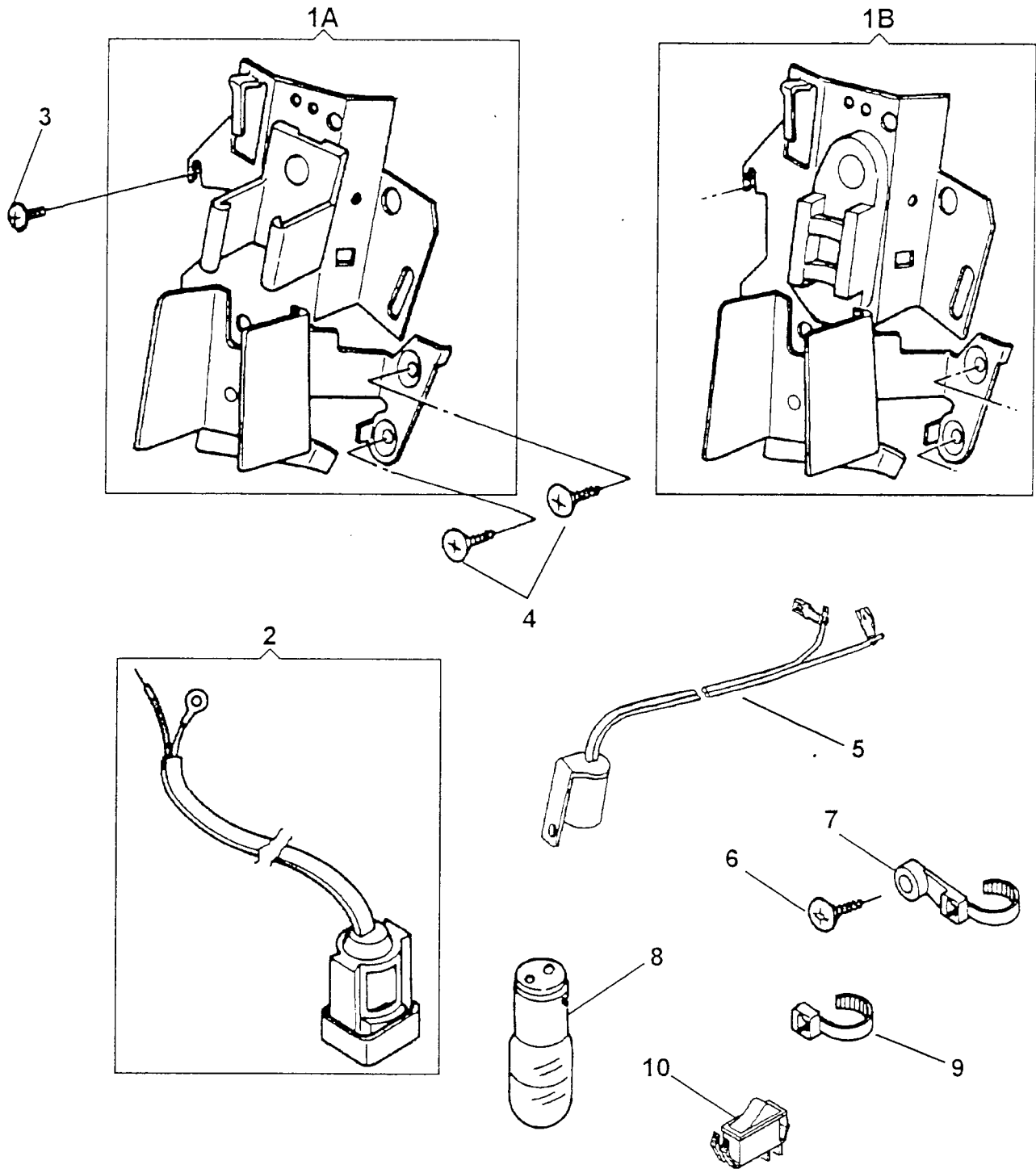
ELECTRICAL EQUIPMENT
 MODEL: 6408 6412 6416 6423

REF. PART NO.	PART NO.	DESCRIPTION	6	6	6	6
			4	4	4	4
			0	1	1	2
			8	2	6	3
1	137070-001	MOTOR COMPLETE (120V)	X	X	X	X
1	137070-002	MOTOR COMPLETE (220-240V, CE)	X	X	X	X
2	979329-001	RESILIENT MOUNT	X	X	X	X
3	137189	MOTOR MOUNTING BRACKET CLIP (LEFT)	X	X	X	X
4	113470-002	MOTOR MOUNTING SCREW (LEFT)	X	X	X	X
5	137186	MOTOR MOUNTING BRACKET CLIP (RIGHT)	X	X	X	X
6	113455-004	MOTOR MOUNTING SCREW (RIGHT)	X	X	X	X
7	37969	MOTOR ADJUSTING TENSION SCREW WASHER	X	X	X	X
8	314058	MOTOR ADJUSTING TENSION SPRING	X	X	X	X
9	53646	MOTOR ADJUSTING TENSION SCREW NUT	X	X	X	X
10	319003-003	FOOT CONTROLLER (TRIAC, 120V)	X	X	X	X
10	319003-010	FOOT CONTROLLER (220-240V, "CE")	X	X	X	X
10	319003-006	TRIAC FOOT CONTROLLER (CANADA)	X	X	X	X
10	319003-011	TRIAC FOOT CONTROLLER (220-240V, UK)	X	X	X	X
10	319003-012	FOOT CONTROLLER (220-240V, AUSTRALIA)	X	X	X	X
11	317356-007	LEAD WITH TERMINAL	X	X	X	X
12	317356-008	LEAD WITH TERMINAL	X	X	X	X
13	137131	RECEPTACLE HOLDER (120V)	X	X	X	X
13	137132	RECEPTACLE HOLDER (230V)	X	X	X	X
14	317421	RECEPTACLE (120V)	X	X	X	X
14	317428-900	RECEPTACLE (230/240V)	X	X	X	X
15	540899	TY-WRAP SELF-LOCKING	X	X	X	X
16	317355	CLOSE-END WIRE CONNECTOR	X	X	X	X
17	314013-451	WASHER, MOTOR MOUNTING SCREW (RIGHT)	X	X	X	X
18	137427	MOTOR BELT SLIP PREVENTION GUARD	X	X	X	X

From the library of: Diamond Needs Corp



From the library of: Diamond Needle Corp



From the library of: Diamond Needle Corp

ELECTRICAL EQUIPMENT (CONT.)
 MODEL: 6408 6412 6416 6423

REF. PART NO.	DESCRIPTION	6	6	6	6
		4	4	4	4
		0	1	1	2
		8	2	6	3
1A 314823-004	LINT AND HEAT SHIELD ASSEMBLY (120V)	X	X	X	X
1B 314823-005	LINT AND HEAT SHILED ASSEMBLY (230-204V)	X	X	X	X
2 317440-003	LIGHT ASSEMBLY (AUSTRALIA)	X	X	X	X
2 137911-002	LIGHT ASSEMBLY (23/240V, EUROPE/UK)	X	X	X	X
3 137813-002	SCREW, LINT AND HEAT SHIELD MOUNTING	X	X	X	X
4 113470-003	THREAD TAKE-UP COVER AND LINT/HEAT SHIELD SCREW	X	X	X	X
5 317397-904	LAMP SOCKET (120V)	X	X	X	X
6 113455-001	SCREW, NYLON CABLE TIE (SELF-LOCK)	X	X	X	X
7 604690-001	NYLON CABLE TIE (SELF-LOCKING)	X	X	X	X
8 194120-019	LIGHT BULB (120V)	X	X	X	X
8 194120-021	LIGHT BULB (240V)	X	X	X	X
9 540899	TY-WRAP SELF-LOCKING	X	X	X	X
10 979585-207	ROCKER SWITCH	X	X	X	X

From the library of: Diamond Needle Corp.